



## No Hoods? No Vents? No Problem!

***Small Space. BIG Profits.  
A high-speed oven that truly delivers.***



**Ventless Operation** – The MultiChef XS high speed oven is equipped with its own internal ventilation system, so you'll save money as there is no need to install any costly vents or hoods to operate. With **high profit margins and short cook times**, this high-speed oven can provide a **quick return on your investment**.



**Digital Touchscreen** – Your menu has never been so easy to execute. The unique software can display and function in multiple languages, hold up to 1024 recipes, and is organized with imagery making it effortless to operate in a fast-paced kitchen. The intuitive technology is key in the performance and functionality to cook, bake, and reheat efficiently.

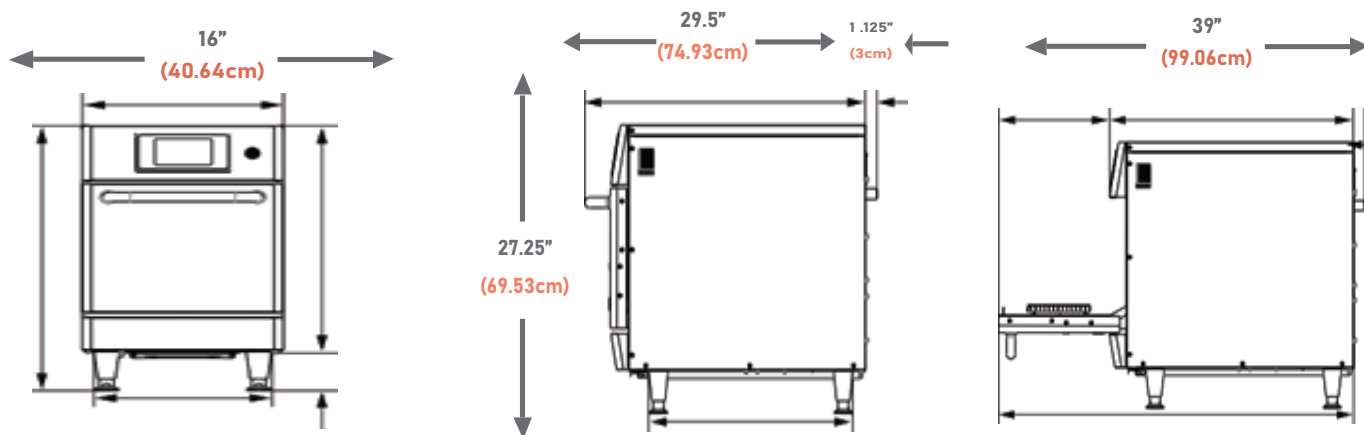


**Ease of Use** – MultiChef XS is extremely simple to use and clean, regardless of your kitchen knowledge level. With its **two step cooking system**, every menu item is just a few taps away! Plus with its **unique removable catalytic converter**, cleaning a high speed oven has never been easier.



**Rapid Bake Technology** – MultiChef XS uses convection, rapid impinged air, bottom infrared, and precision microwave. The MultiChef XS cuts **cook times by more than 80%**, transforming your business into a food preparation powerhouse.

# MultiChef XS™ SPECIFICATIONS





## FRONT VIEW

## SIDE VIEW

### CAPACITY

External Dimensions	16" Wide x 30.75" Deep x 27.375" High (40.6cm Wide x 78.11cm Deep x 69.5cm High)
Internal Dimensions	13.25" Wide x 11.25" Deep x 7.25" High (33.66cm Wide x 28.58cm Deep x 18.44cm High)
Approximate Unit Weight	174 lbs. (78.92 kg)

### ELECTRICAL

	North America		International
Voltage	208 V	240 V	230 V
Phase	Single	Single	Single
Frequency (Hz)	60	60	50
Power	5.7kW	6.4kW	7.2kW
Circuit Required	30A	30A	32A
Plug Type	NEMA 6-30P (US) 		32 Amp (2P + T) 
Cord Length	6' (1.83m) Cord		
Cooking Temperature Range	86° - 530° F (30° - 276° C)		
Clearances	1" Left Side, 1" Right Side, 1" Back (7.6 cm)		

### ACCESSORIES INCLUDED:

Pizza Peel, Panini Style Grill Plate, Solid Teflon Basket, and USB Drive with pre-programmed recipes.

### SHIPPING

Approximate Crated Weight	220 lbs. (99.79 kg)
Approximate Shipping Crate Size	16.75" Wide x 32" Deep x 31.5" High (42.54cm Wide x 81.28cm Deep x 80.01cm High)



### WARRANTY

1 Year Parts/Labor

### NOTES

We reserve the right to change specifications appearing upon this brochure without notice and without incurring any obligation for the equipment.



Your Source for Ventless  
Kitchen Solutions



[www.MultiChef.com](http://www.MultiChef.com)  
[www.MTIproducts.com](http://www.MTIproducts.com)



P: 800-348-2976  
P: 508-460-9800  
F: 508-393-5718



10 Forbes Road  
Northborough, MA 01532 USA

Rev 05/2021